

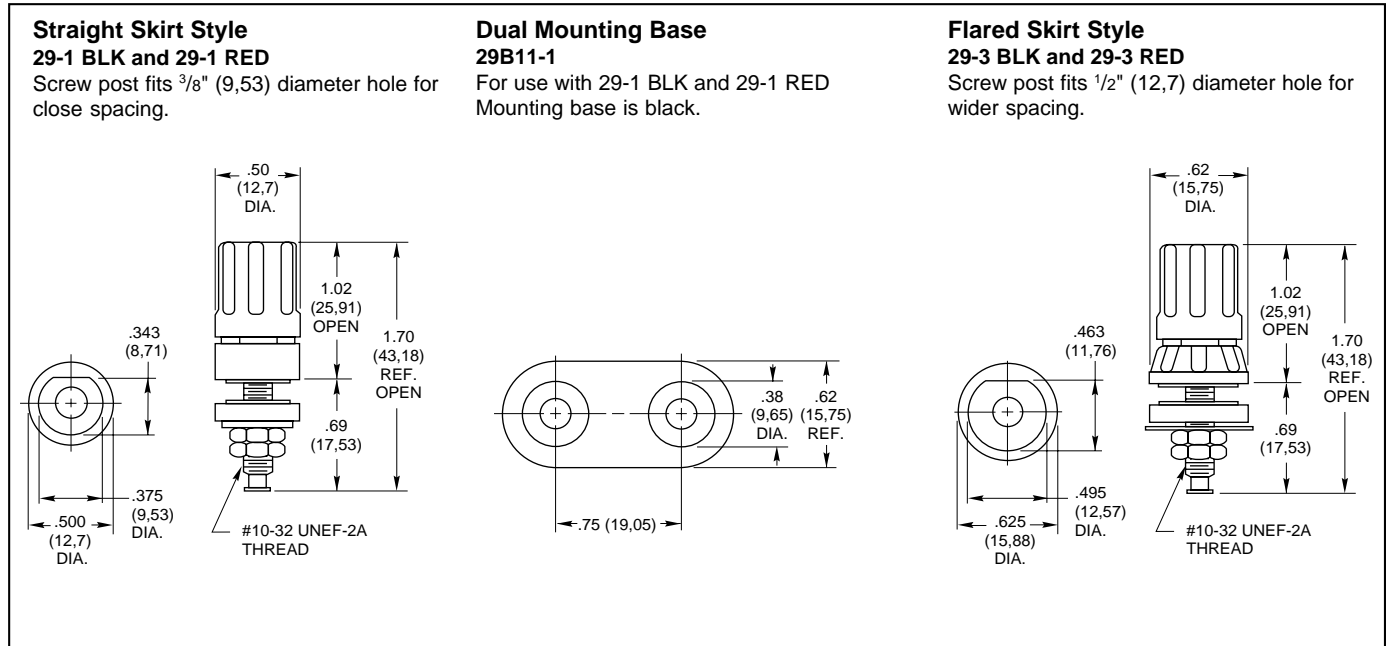
SERIES 29

FEATURES

- Flush Hole to Prevent Crimping
- Space-Saving $\frac{3}{8}$ " Diameter or Decorative Flared Skirt
- Dual Mounting Base Accessory



DIMENSIONS In Inches (and millimeters)



SPECIFICATIONS

Rating Criteria

Rating: At 120 Vdc, 15 Amps continuously, with a maximum temperature rise of 20°C.

Insulation Resistance: Between stud and mounting panel

For 29-1 styles	120,000 megohms
For 29-3 styles	200,000 megohms

Voltage Breakdown: Between studs and mounting panel

For 29-1 styles	1500 Vac
For 29-3 styles	3000 Vac

Materials and Finishes

Metal Parts: Nickel-plated brass

Insulating Materials: Thermoset plastic per MIL-M-14, Type CFG

Additional Characteristics

Insulating Washers: Non-turn "D" style

Solder Stud: Integral; 2 hex nuts for solder lug connections

Heads: Captive

Cross Hole: Flush to stud extension to eliminate cutting or crimping wires

Panel Thickness: Up to $\frac{3}{16}$ " (4,76)

ORDERING INFORMATION

Order using part numbers shown in dimensions.

Available from your local Grayhill Distributor.

For prices and discounts, contact a local Sales Office, an authorized local Distributor or Grayhill.